

QMS46T

SPECIFICATIONS



Frequency	50 Hz	Engine base	Kubota
Voltage	400 V	Cooling system	Seawater pump with rubber impeller
Amperes	48 A cont. 53 A max.	Closed cooling	Heat exchanger
Power	34.4 kW cont. 37.8 kW max.	Cylinders	4 in line
Protection	IP23	Start (cold temperature)	Super Glow System
Insulation	Class H	Exhaust connexion	80 mm [3.15 in]
Voltage accuracy	± 5%	Fuel consumption at full load	6.9 l/h [1.82 gal US/h]
Radio interference	Deleted	Sea water pump connexion	32 mm [1.25 in]
Lenght	1590 mm [62.6 in]	Fuel pump - Max suction height	std pump : 0.5 m [19.7 in] with add. pump : 1.8 m [70.9 in]
Width	700 mm [27.6 in]	Engine operating angle	15° cont. 30° max.
Height	900 mm [35.4 in]	Fuel connexion	8 mm [0.3 in]
Dry weight	670 kg [1477.1 lbs]	Class approval	Bureau Veritas

QMS46T

37.8 kW max. at 1500 rpm

TECHNICAL DESCRIPTION

ENGINE BASE

- 4 strokes Diesel engine tested in all marine or industrial applications throughout the world.
- Engine block in cast iron type tunnel and timing gear.

INJECTION AND COMBUSTION SYSTEM

- The Super Glow System comes as standard equipment to start the engine in cold temperatures.
- The E-CDIS injection system produces an ideal air/fuel mixture by creating three vortices in the combustion chamber. The combustion efficiency is improved, resulting in low fuel consumption.

COOLING SYSTEM

- Cooling is ensured by heat exchange between coolant and seawater in an heat exchanger, or via a Keel Cooling system.
- Seawater pump with rubber impeller.

GENERATOR

- Delivering a continuous power of 34.4 kW and able to provide up to 37.8 kW
- IP23 protection

STANDARD EQUIPMENT

- Extension delivered by meter
- Closed cooling with heat exchanger
- Wet exhaust
- 12V Single-pole electrical system
- Safety shutdowns on low oil pressure and high coolant temperature
- Luce GE panel ¹
- Rubber mounts
- Oil drain pump mounted on the engine ¹

OPTIONAL EQUIPMENT

- Seawater hoses
- Seawater filter
- Siphon breaker
- Fuel feed system piping
- Exhaust system
- Fuel prefilter
- Keel Cooling ²
- Vertical dry exhaust ²
- 12V Double-pole electrical system ²
- Additional electric fuel feed pump

¹ Optional in version with sound enclosure

² Not available in version with sound enclosure

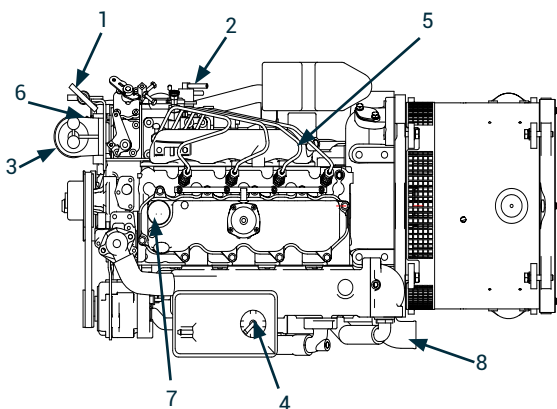
INSTRUMENT PANEL

LUXE GE



- Start and stop buttons
- Low oil pressure warning light
- Coolant temperature warning light
- Preheat warning light
- Battery charge warning light
- Oil pressure indicator
- Coolant temperature indicator

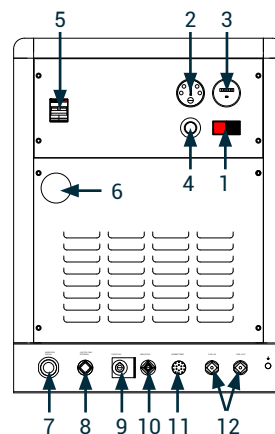
MAIN COMPONENTS



1. Oil drain pump**
2. Fuel feed pump
3. Fuel filter
4. Expansion tank
5. Seawater pump
6. Oil filter
7. Oil filter port
8. Exhaust elbow

** Optional in version with sound enclosure (supplied loose)

SOUND ENCLOSURE (OPTIONAL)



1. Start & Stop buttons
2. Warning displays
3. Hourmeter
4. Emergency stop
5. Circuit breaker
6. Exhaust outlet
7. Seawater connection
8. Power cable connection
9. Battery connection +
10. Battery connection -
11. Dashboard connection
12. Fuel connection

NANNI INDUSTRIES S.A.S.

11, Avenue Mariotte - Zone Industrielle
33260 La Teste - France
Tel: +33 (0)5 56 22 30 60
Fax: +33 (0)5 56 22 30 79

Technical data according to ISO 8528. This document is not contractual. Nanni reserves the right to modify any of the characteristics stated in this document without notice, in a constant effort to improve the quality of its products. Images and illustrations may show non standard equipments. All combination of equipment & accessory are not available.

DGBXXC0123