

QMS13T

SPECIFICATIONS



| | | | |
|--------------------|---|--------------------------------|--|
| Frequency | 50 Hz | Engine base | Kubota |
| Voltage | 400 V | Cooling system | Seawater pump with rubber impeller |
| Amperes | 16.4 A cont. 18.4 A max. | Closed cooling | Heat exchanger |
| Power | 9.1 kW cont. 10.2 kW max. | Cylinders | 4 in line |
| Protection | IP23 | Start (cold temperature) | Super Glow System |
| Insulation | Class H | Exhaust connexion | 50 mm [2 in] |
| Voltage accuracy | ± 1.5% | Fuel consumption at full load | 3.3 l/h [0.87 gal US/h] |
| Radio interference | Deleted | Sea water pump connexion | 25 mm [1 in] |
| Lenght | without sound shield : 925 mm [36.4 in] with sound shield : 1050 mm [41.3 in] | Fuel pump - Max suction height | std pump : 0.5 m [19.7 in] with add. pump : 1.8 m [70.9 in] |
| Width | without sound shield : 489 mm [19.3 in] with sound shield : 540 mm [21.3 in] | Engine operating angle | 15° cont. 30° max. |
| Height | without sound shield : 620 mm [24.4 in] with sound shield : 715 mm [28.1 in] | Fuel connexion | 8 mm [0.3 in] |
| Dry weight | without sound shield : 244 kg [537.9 lbs] with sound shield : 291 kg [641.5 lbs] | | |

QMS13T

10.2 kW max. at 1500 rpm

TECHNICAL DESCRIPTION

ENGINE BASE

- 4 strokes Diesel engine tested in all marine or industrial applications throughout the world.
- Engine block in cast iron type tunnel and timing gear.

INJECTION AND COMBUSTION SYSTEM

- The Super Glow System comes as standard equipment to start the engine in cold temperatures.
- The E-TVCS injection system produces an ideal air/fuel mixture by creating three vortices in the combustion chamber. The combustion efficiency is improved, resulting in low fuel consumption.

COOLING SYSTEM

- Cooling is ensured by heat exchange between coolant and seawater in an heat exchanger, or via a Keel Cooling system.
- Seawater pump with rubber impeller.

GENERATOR

- Delivering a continuous power of 9.1 kW and able to provide up to 10.2 kW
- IP23 protection

STANDARD EQUIPMENT

- Extension delivered by meter
- Closed cooling with heat exchanger
- Wet exhaust
- 12V Single-pole electrical system
- Safety shutdowns on low oil pressure and high coolant temperature
- Eco GE panel ¹
- Rubber mounts
- Oil drain pump mounted on the engine ¹

OPTIONAL EQUIPMENT

- Seawater hoses
- Seawater filter
- Siphon breaker
- Fuel feed system piping
- Exhaust system
- Fuel prefilter
- Keel Cooling ²
- Vertical dry exhaust ²
- 12V Double-pole electrical system ²
- Luxe GE panel (instead of Eco GE panel)
- Additional electric fuel feed pump

¹ Optional in version with sound enclosure

² Not available in version with sound enclosure

INSTRUMENT PANEL

ECO GE



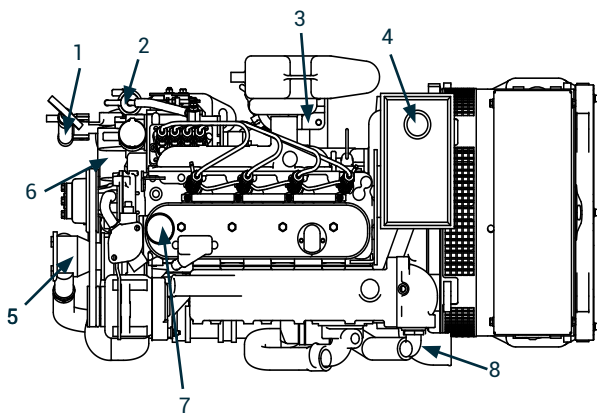
LUXE GE



- Start and stop buttons
- Low oil pressure warning light
- Coolant temperature warning light
- Preheat warning light
- Battery charge warning light
- Oil pressure indicator *
- Coolant temperature indicator *

*Only with Luxe GE

MAIN COMPONENTS

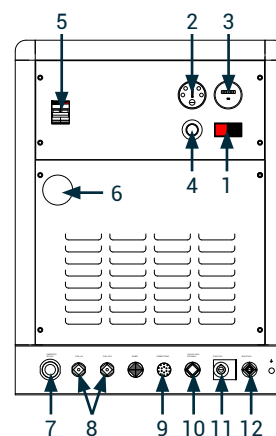


1. Oil drain pump **
2. Fuel feed pump
3. Fuel filter
4. Expansion tank
5. Seawater pump

6. Oil filter
7. Oil filter port
8. Exhaust elbow

** Optional in version with sound enclosure (supplied loose)

SOUND ENCLOSURE (OPTIONAL)



1. Start & Stop buttons
2. Warning displays
3. Hourmeter
4. Emergency stop
5. Circuit breaker
6. Exhaust outlet
7. Seawater connection
8. Fuel connection
9. Dashboard connection
10. Power cable connection
11. Battery connection +
12. Battery connection -

NANNI INDUSTRIES S.A.S.

11, Avenue Mariotte - Zone Industrielle
33260 La Teste - France
Tel: +33 (0)5 56 22 30 60
Fax: +33 (0)5 56 22 30 79

Technical data according to ISO 8528. This document is not contractual. Nanni reserves the right to modify any of the characteristics stated in this document without notice, in a constant effort to improve the quality of its products. Images and illustrations may show non standard equipments. All combination of equipment & accessory are not available.

DGBXXC0117