

Item		Description	Q-ty	NOTE
1	4231	Inflatable tube for S370N	1	
2	4328	Fiberglass hull for S370NL	1	
3	4139	Inflation-deflation valve BRAVO-2005	3	
4	2219	Steering console CL-11	1	
5	2306	Double seats SD-06	1	
6	4448	Pull up drain valve	1	
7	4442	Drain through-hull with plug	1	
8	4403	U-bolt M8x100	5	
9	4264	Rubbing strake, 100 mm	7.9 m	
10	4250	PVC handle grey / grey insertion	1	
11	425002	PVC handle grey /dark grey insertion	8	
12	4410	Motor plate internal 230x86	1	
13	4423	Motor plate external No4	1	
14	4466	Wire steering grommet and ring	1	

DIMENSION (cm)

Length overall	370
Length internal	270
Width overall	185
Width internal	92

CAPACITY

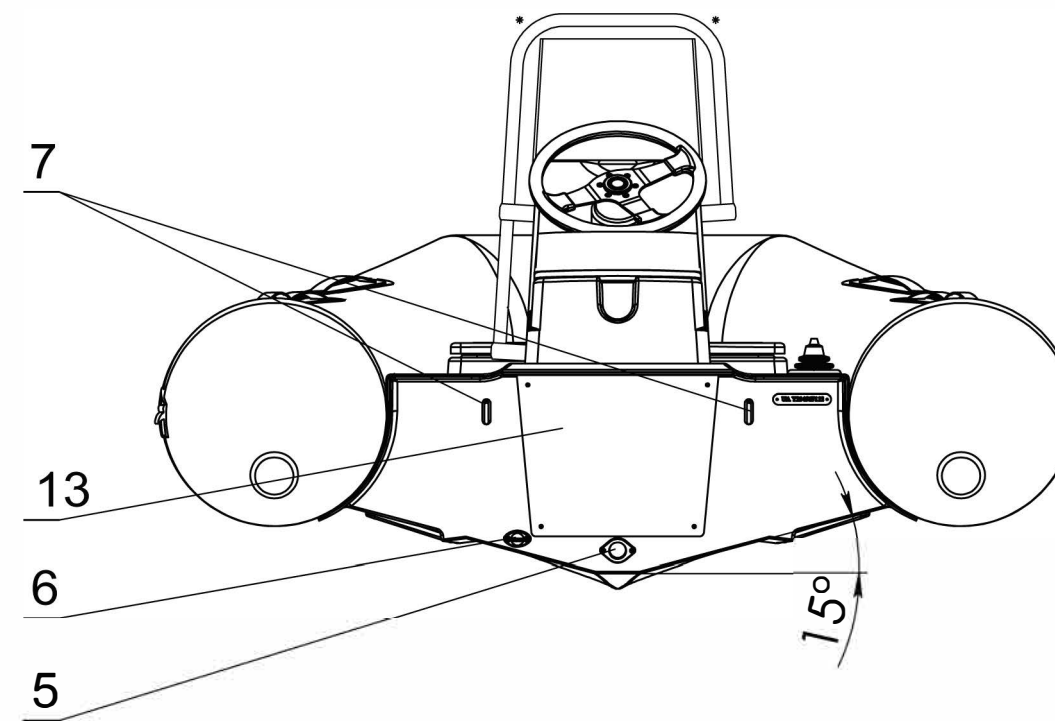
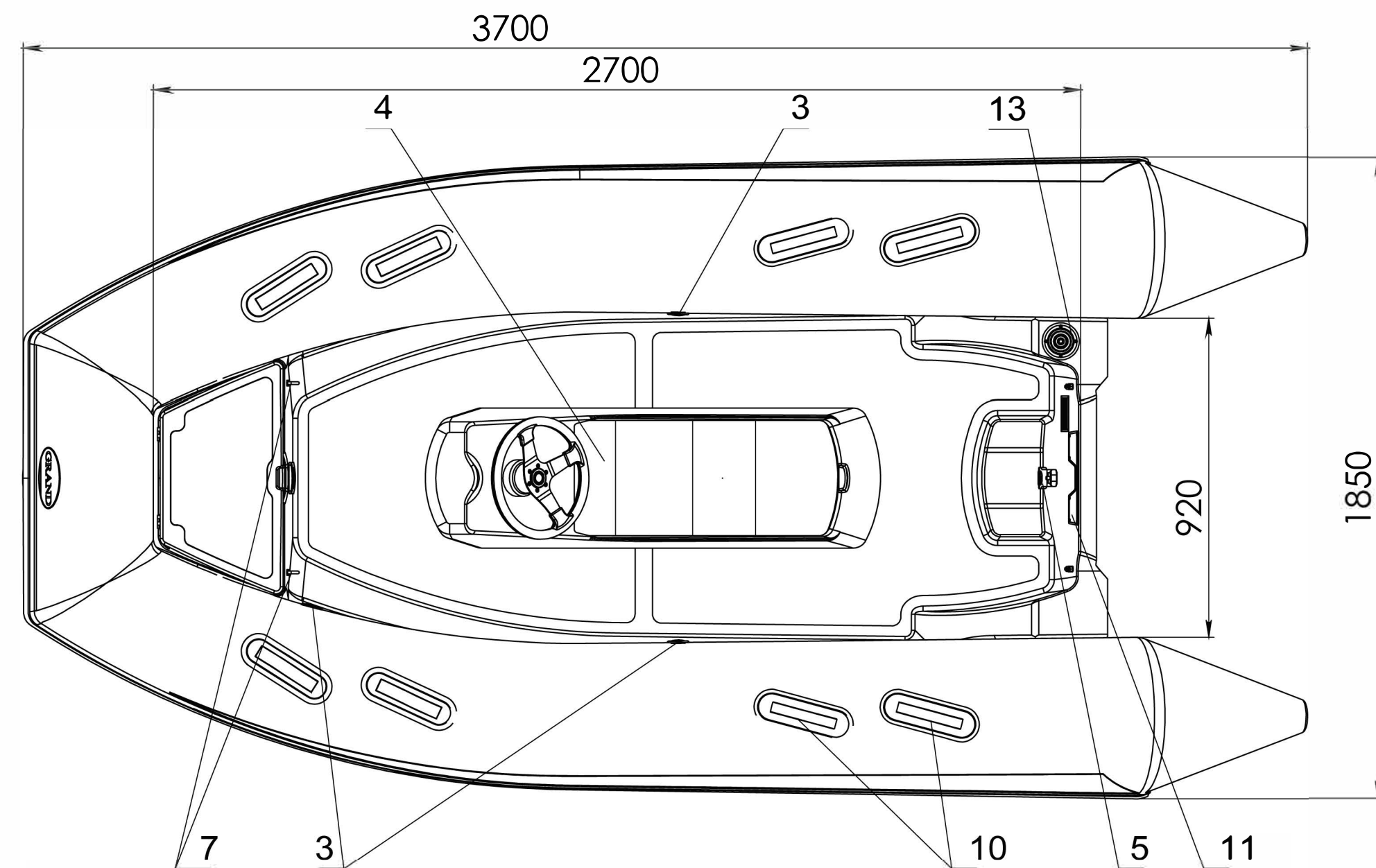
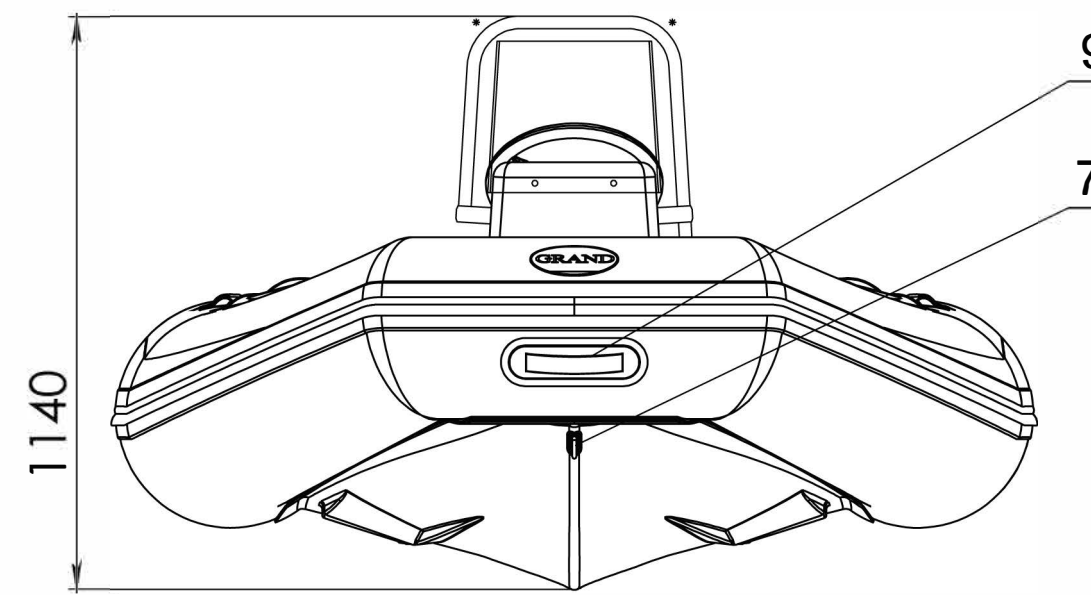
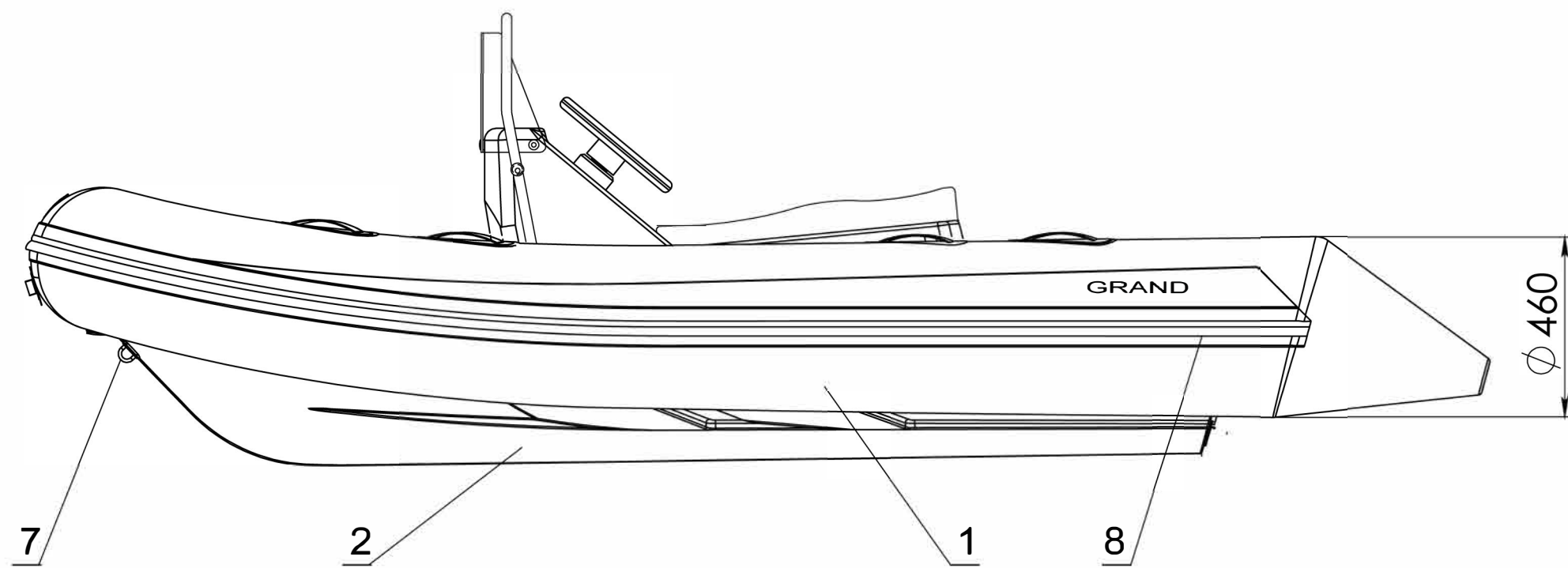
Passengers capacity	5
Max loading capacity (kg)	600
Boat weight (kg)	124

TUBE

Tube diameter (cm)	46
No of chambers	3
Tube volume (m*3)	1,02

Engine max (HP)	30
Engine recommended (HP)	25

UNLESS OTHERWISE SPECIFIED: DIMENSIONS ARE IN MILLIMETERS		FINISH:		DEBUR AND BREAK SHARP EDGES		DO NOT SCALE DRAWING		REVISION	
NAME	SIGNATURE	DATE				TITLE:			
DRAWN: Kryglyak		25 12 17				Silver Line S370NL			
CHK'D:									
APPV'D:									
MFG:									
Q.A.				MATERIAL:		ITEM:	1032		A3
				WEIGHT:		SCALE:1:15	SHEET 3 OF 3		



DIMENSION (cm)

Length overall	370
Length internal	270
Width overall	185
Width internal	92

CAPACITY

Passengers capacity	5
Max loading capacity (kg)	600
Boat weight (kg)	120

TUBE

Tube diameter (cm)	46
No of chambers	3
Tube volume (m*3)	1,02

Engine max (HP)	30
Engine recommended (HP)	25

Item	Item No	Description	Q-ty	Note
1	4231	Inflatable tube for S370N	1	
2	4327	Fiberglass hull for S370NS	1	
3	4139	Inflation-deflation valve BRAVO-2005	3	
4	2209	Steering console CS-01	1	
5	4448	Pull up drain valve	1	
6	4442	Drain through-hull with plug	1	
7	4403	U-bolt M8x100	3	
8	4264	Rubbing strake, 100 mm	7.9 m	
9	4250	PVC handle grey / grey insertion	1	
10	425002	PVC handle grey /dark grey insertion	8	
11	4410	Motor plate internal 230x86	1	
12	4423	Motor plate external No4	1	
13	4466	Wire steering grommet and ring	1	

UNLESS OTHERWISE SPECIFIED: DIMENSIONS ARE IN MILLIMETERS			FINISH:		DEBUR AND BREAK SHARP EDGES		DO NOT SCALE DRAWING		REVISION	
SURFACE FINISH:										
TOLERANCES:										
LINEAR:										
ANGULAR:										
NAME	SIGNATURE	DATE				TITLE:				
DRAWN Kruglyak		25.12.17				Silver Line S370NS				
CHK'D										
APPV'D										
MFG										
Q.A						MATERIAL:		ITEM:		A3
						WEIGHT:		SCALE:1:15		SHEET 2 OF 3