

Item	Item No	Description	Q-ty	Note
1		Inflatable tube for G500	1	
2		Fiberglass hull for G500	1	
3		Inflation-deflation valve LEAFIELD	5	
4		Steering console CL-20	1	
5		Bow step plate	1	
6		PVC handle grey / grey insertion	1	
7		Stainless steel bow railing	2	
8		Steering system for engines 50HP end over+ cable 13'	1	
9		Expanded drain plug 42 mm	2	
10		Drain through-hull with plug	1	
11		Drain valve, 50 mm	2	
12		Motor plate external	1	
13		U-bolt M10x120	2	
14		Rubbing strake, 100 mm		
15		Swimming platform	1	
16		Swimming platform with folding ladder	1	
17		Bow locker removable cushion G500 #1	1	
18		Bow locker removable cushion G500 #2	1	
19		Rear seat removable cushion	1	

DIMENSION (cm)

Length overall 495
 Length internal 332
 Width overall 230
 Width internal 128

CAPACITY

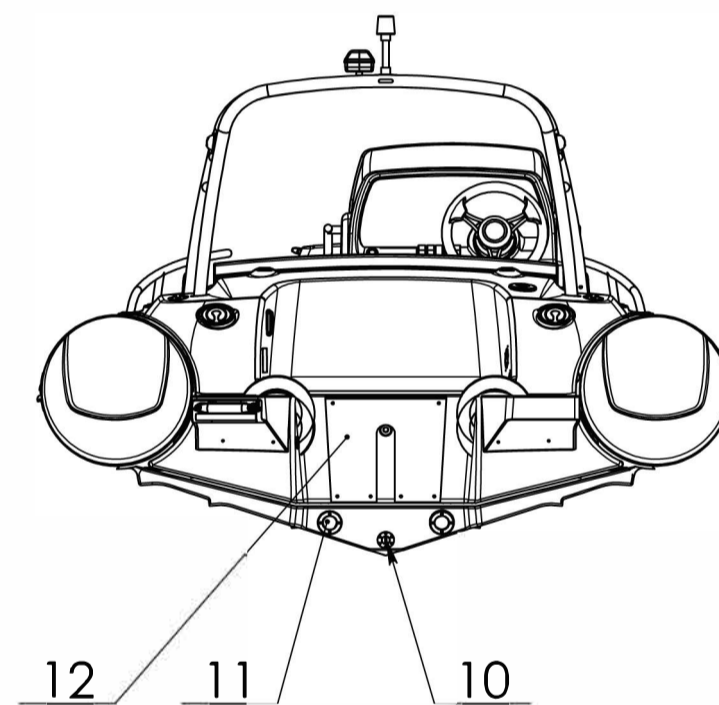
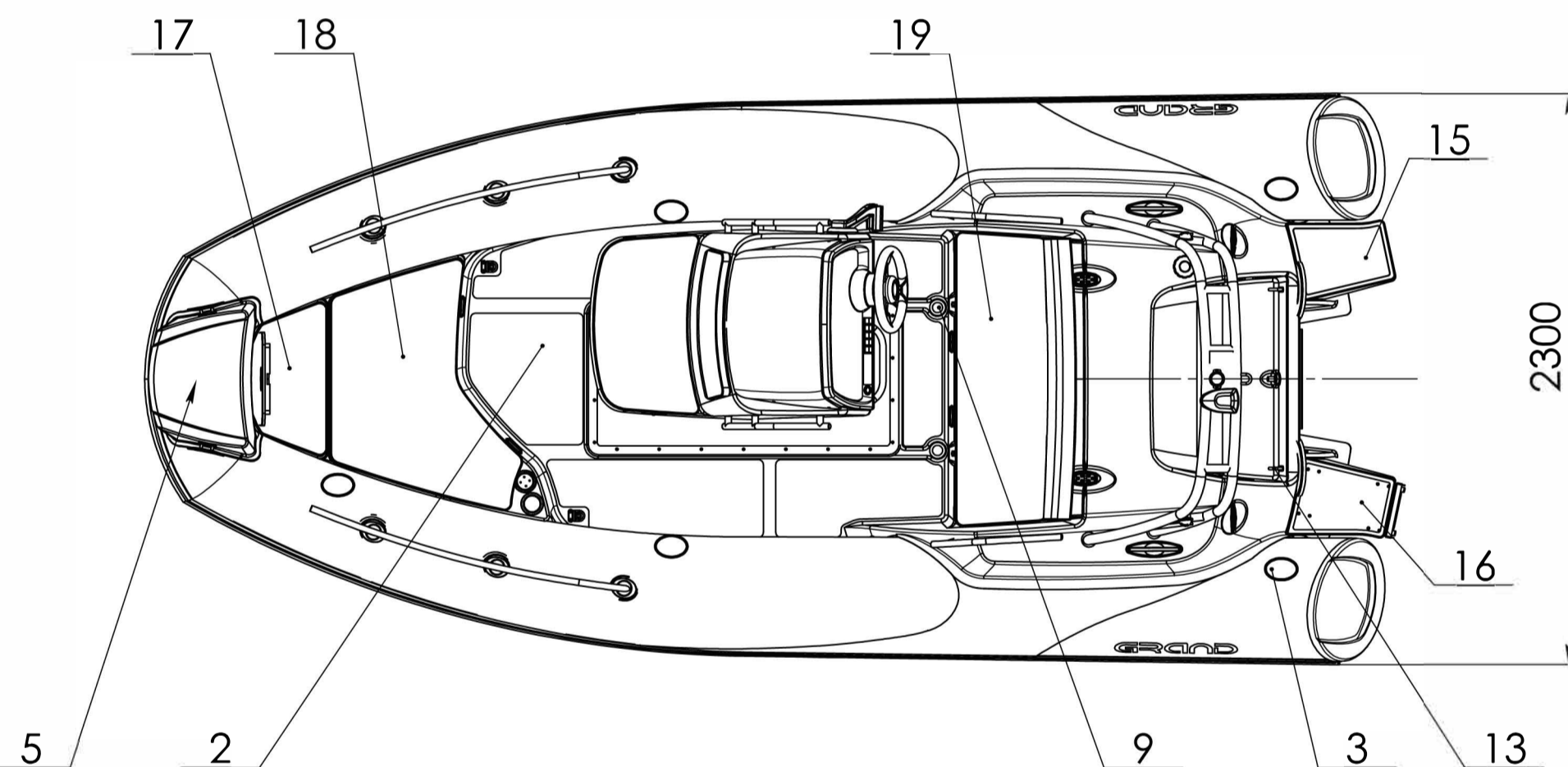
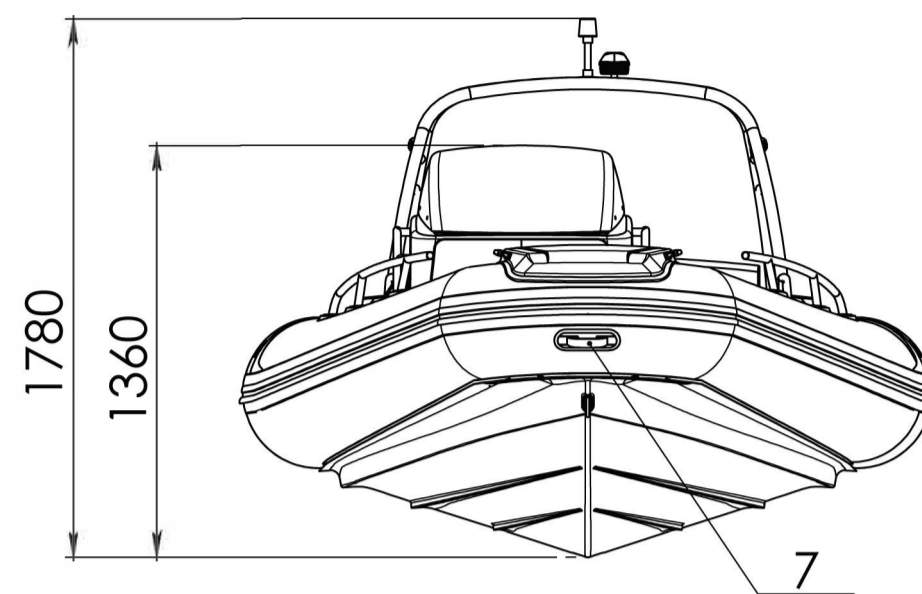
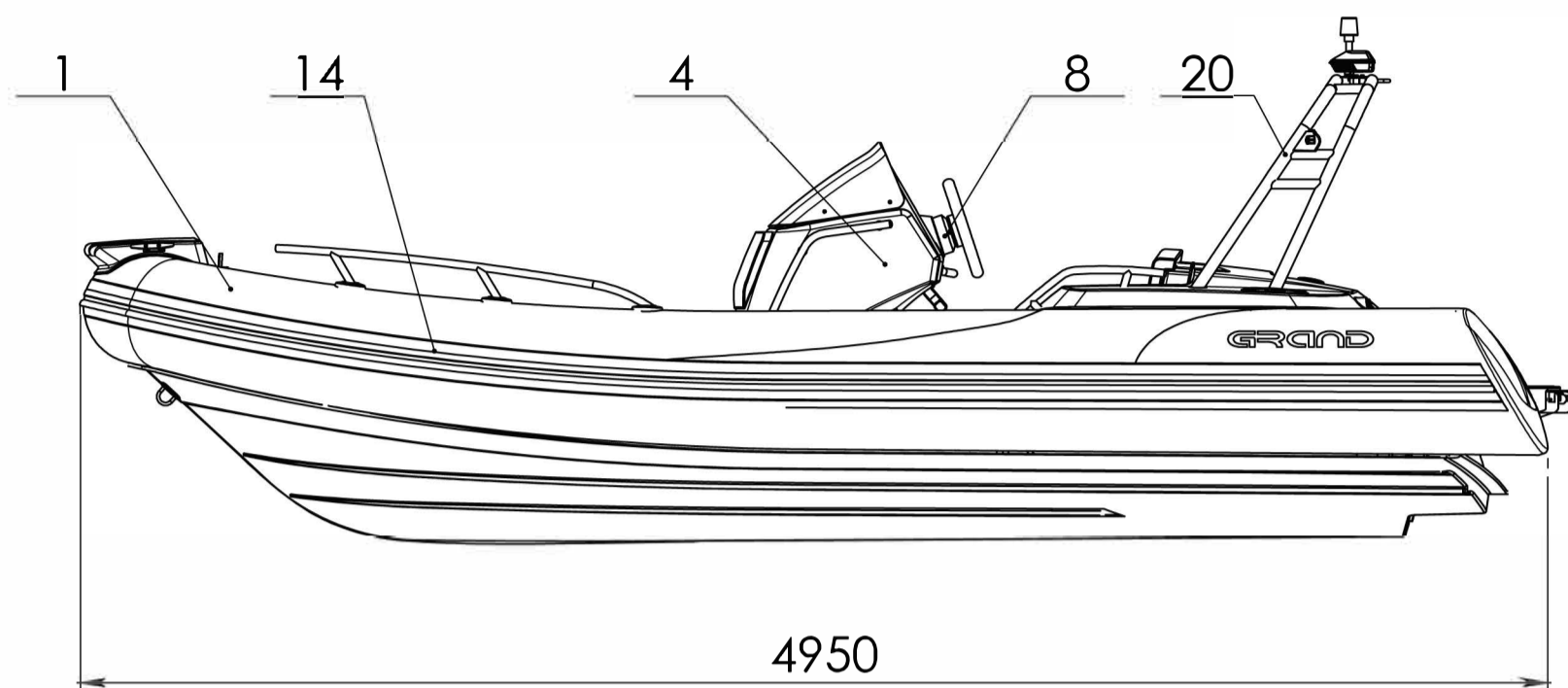
Passengers capacity 9
 Max loading capacity 1000 (kg)
 Boat weight (kg) 435

TUBE

Tube diameter (cm) 50
 No of chambers 5
 Tube volume (m*3) 1.63

Engine max (HP) 115
 Engine recommended (HP) 90

UNLESS OTHERWISE SPECIFIED: DIMENSIONS ARE IN MILLIMETERS		FINISH:		DEBUR AND BREAK SHARP EDGES		DO NOT SCALE DRAWING		REVISION	
SURFACE FINISH:									
TOLERANCES:									
LINEAR:									
ANGULAR:									
NAME:	SIGNATURE:	DATE:	TITLE: Golden Line G500						
DRAWN: Kruglyak		20.12.17							
CHK'D: Borodin									
APP'VD:									
MFG:									
Q.A:			MATERIAL:		ITEM: 1180		A3		
WEIGHT:		SCALE: 1:20		SHEET 1 OF 1					



Item	Item No	Description	Q-ty	Note
	1	Inflatable tube for G500	1	
	2	Fiberglass hull for G500	1	
	3	Inflation-deflation valve LEAFIELD	5	
	4	Steering console CL-20	1	
	5	Bow step plate	1	
	6	PVC handle grey / grey insertion	1	
	7	Stainless steel bow railing	2	
	8	Steering system for engines 50HP end over+ cabel 13'	1	
	9	Expanded drain plug 42 mm	2	
	10	Drain through-hull with plug	1	
	11	Drain valve, 50 mm	2	
	12	Motor plate external	1	
	13	U-bolt M10x120	2	
	14	Rubbing strake, 100 mm		
	15	Swimming platform	1	
	16	Swimming platform with folding ladder	1	
	17	Bow locker removable cushion G500 #1	1	
	18	Bow locker removable cushion G500 #2	1	
	19	Rear seat removable cushion	1	
	20	Waterski towing/navigation arch for G500, polished	1	

DIMENSION (cm)

Length overall	495
Length internal	332
Width overall	230
Width internal	128

CAPACITY

Passengers capacity	9
Max loading capacity (kg)	1000
Boat weight (kg)	435

TUBE

Tube diameter (cm)	50
No of chambers	5
Tube volume (m*3)	1.63

Engine max (HP)	115
Engine recommended (HP)	90

UNLESS OTHERWISE SPECIFIED: DIMENSIONS ARE IN MILLIMETERS				FINISH:		DEBUR AND BREAK SHARP EDGES		DO NOT SCALE DRAWING		REVISION	
SURFACE FINISH:											
TOLERANCES:											
LINEAR:											
ANGULAR:											
NAME	SIGNATURE	DATE				TITLE:					
DRAWN Kruglyak		20.12.17				Golden Line G500 with Waterski towing					
CHK'D Borodin											
APP'VD											
MFG											
Q.A						MATERIAL:		ITEM:		A3	
						WEIGHT:		SCALE 1:20		SHEET 1 OF 1	