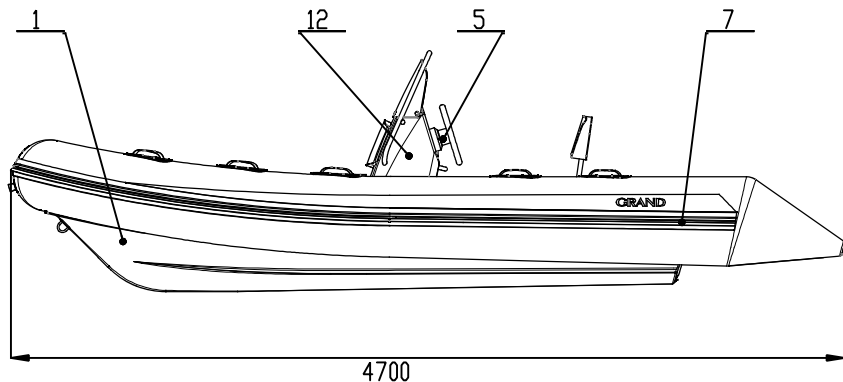


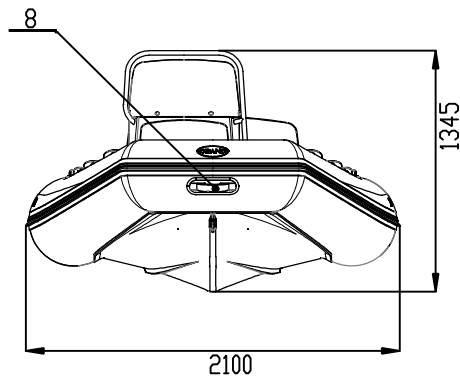
Item	Item No	Description	Q-ty	Note
1		Fiberglass hull for S470N (assembly)	1	
2	4233	Inflatable tube for S470N	1	
3	4139	Inflation-deflation valve BRAVO-2005	5	
4	425002	PVC handle grey /dark grey insertion	10	
5	4250	PVC handle grey / grey insertion	1	
6	4403	U-bolt M8x100	3	
7	4401	U-bolt M10x120	2	
8	4447	Drain valve, 50 mm	1	
9	4441	Expanded drain plug 42 mm	1	
10	4442	Drain through-hull with plug	2	
11	4424	Motor plate external No5	1	
12	4264	Rubbing strake, 100 mm	9,5 M	

UNLESS OTHERWISE SPECIFIED DIMENSIONS ARE IN MILLIMETERS SURFACE FINISH TO BE DETERMINED LINEWORK ANGULAR		FINISH		BEAR AND BREAK SHARP EDGES		1:100 NET SCALE DRAWING		REVISION	
DATE	2017.02.02								
PROPRIETARY AND CONFIDENTIAL THE INFORMATION CONTAINED IN THIS DRAWING IS THE SOLE PROPERTY OF GRAND MARINE CORPORATION. ANY REPRODUCTION IN PART OR AS A WHOLE WITHOUT THE WRITTEN PERMISSION OF GRAND MARINE CORPORATION IS PROHIBITED.		TITLE: <b>Silver Line S470N</b>		ITEM: <b>1150</b>		SCALE:		SHEET 1 OF 1	

PROPRIETARY AND CONFIDENTIAL THE INFORMATION CONTAINED IN THIS DRAWING IS THE SOLE PROPERTY OF GRAND MARINE CORPORATION. ANY REPRODUCTION IN PART OR AS A WHOLE WITHOUT THE WRITTEN PERMISSION OF GRAND MARINE CORPORATION IS PROHIBITED.

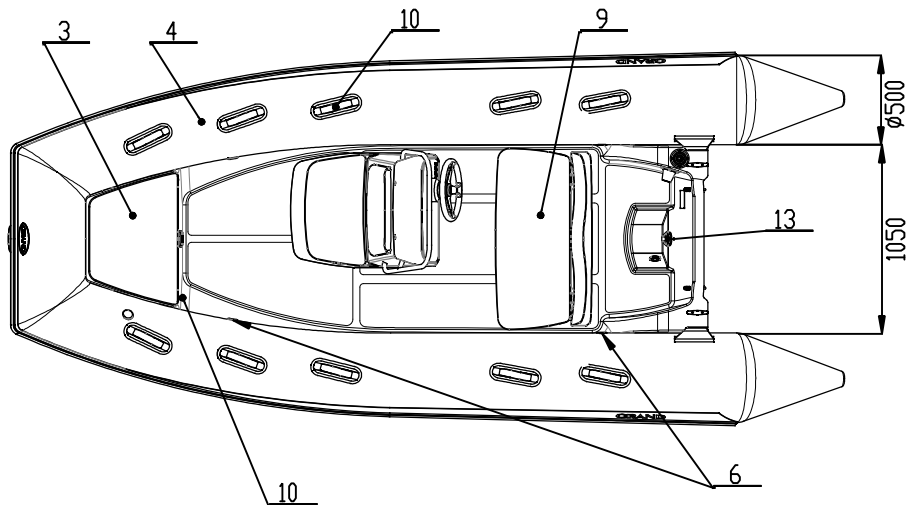


4700



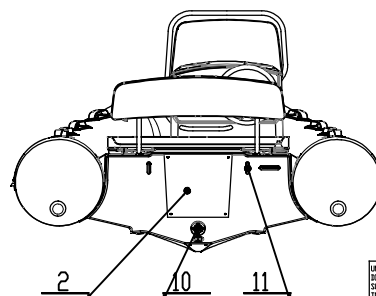
2100

1345



500

1050



2

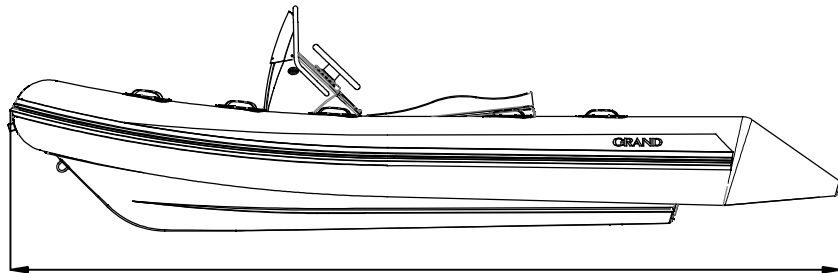
10

11

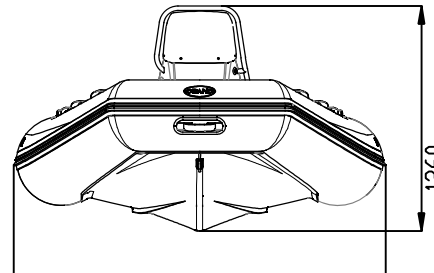
Item	Item No	Description	Q-ty	Note
1		Fiberglass hull for S470N (assembly)	1	
2	4233	Inflatable tube for S470N	1	
3	4139	Inflation-deflation valve BRAVD-2005	5	
4	425002	PVC handle grey /dark grey insertion	10	
5	4250	PVC handle grey / grey insertion	1	
6	4403	U-bolt M8x100	3	
7	4401	U-bolt M10x120	2	
8	4447	Drain valve, 50 mm	1	
9	4441	Expanded drain plug 42 mm	1	
10	4442	Drain through-hull with plug	2	
11	4424	Motor plate external No5	1	
12	4264	Rubbing strake, 100 mm	9,5	M

UNLESS OTHERWISE SPECIFIED DIMENSIONS ARE IN MILLIMETERS SURFACE FINISH TOLERANCES LINEAR ANGULAR		FINISH	DEBUR AND BREAK SHARP EDGES	DO NOT SCALE DRAWING	REVISION
DRAWN	NAME	SIGNATURE	DATE	TITLE:	
CHEK	<b>Drobyszko</b>		05.07.2012	Silver Line S470NL	
APPRV'D	<b>Fedishin</b>			ITEM	1152
REC	<b>Grebenikov</b>				A3
DATE				SCALE: A0	SHEET 1 OF 1

PROPRIETARY AND CONFIDENTIAL THE INFORMATION CONTAINED IN THIS DRAWING IS THE SOLE PROPERTY OF GRAND MARINE CORPORATION. ANY REPRODUCTION IN PART OR AS A WHOLE WITHOUT THE WRITTEN PERMISSION OF GRAND MARINE CORPORATION IS PROHIBITED

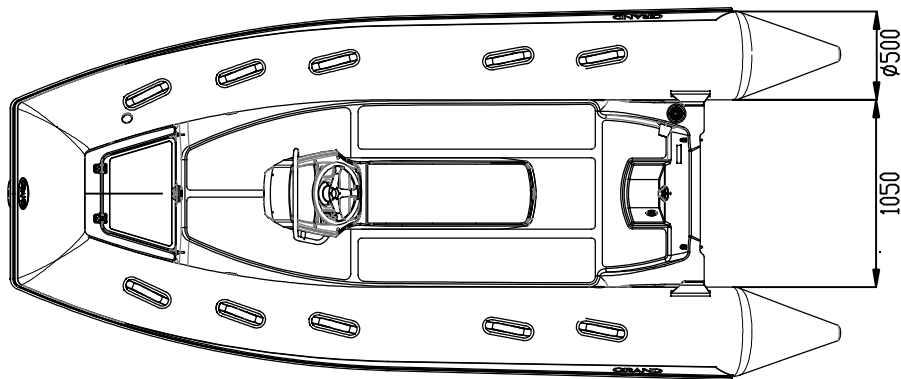


4700



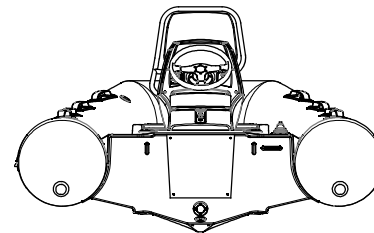
2100

1260



1500

1050



Item	Item No	Description	Q-ty	Note
1		Fiberglass hull for S470N (assembly)	1	
2	4233	Inflatable tube for S470N	1	
3	4139	Inflation-deflation valve BRAVO-2005	5	
4	425002	PVC handle grey / dark grey insertion	10	
5	4250	PVC handle grey / grey insertion	1	
6	4403	U-bolt M8x100	3	
7	4401	U-bolt M10x120	2	
8	4447	Drain valve, 50 mm	1	
9	4441	Expanded drain plug 42 mm	1	
10	4442	Drain through-hull with plug	2	
11	4424	Motor plate external No5	1	
12	4264	Rubbing strake, 100 mm	9,5	M

UNLESS OTHERWISE SPECIFIED DIMENSIONS ARE IN MILLIMETERS		FINISH		BEVEL AND BREAK SHARP EDGES		DO NOT SCALE DRAWING		REVISION	
SURFACE FINISH									
TOLERANCES:									
LINEAR:									
ANGULAR:									
DRANK	NAME	SIGNATURE	DATE			TITLE			
CHIT	Dobryazko		25.07.2012			Silver Line S470NS			
PPV/D	Borodin					ITEM		1151	
MFG	Grebentkov							A3	
DA					MATERIAL:				
					WEIGHT:	SCALE:00		SHEET 1 OF 1	

PROPRIETARY AND CONFIDENTIAL THE INFORMATION CONTAINED IN THIS DRAWING IS THE SOLE PROPERTY OF GRAND MARINE CORPORATION ANY REPRODUCTION IN PART OR AS A WHOLE WITHOUT THE WRITTEN PERMISSION OF GRAND MARINE CORPORATION IS PROHIBITED